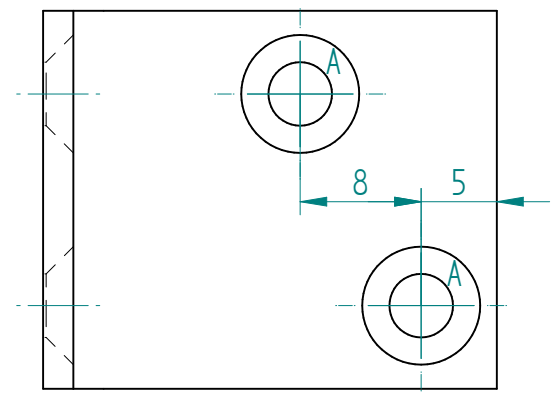
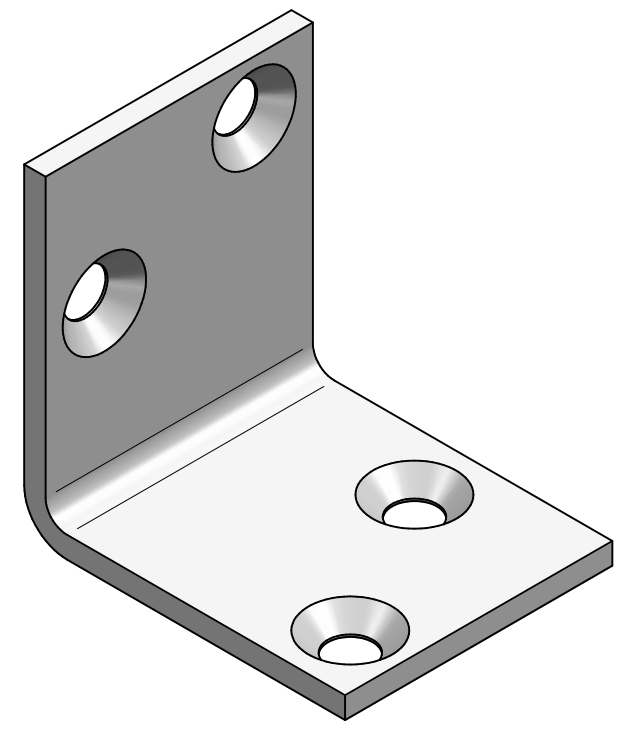
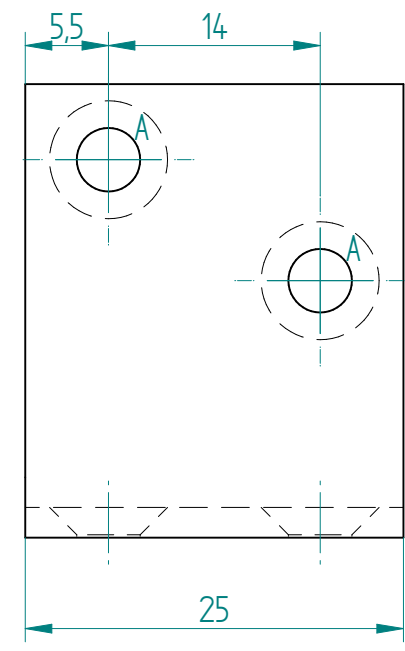
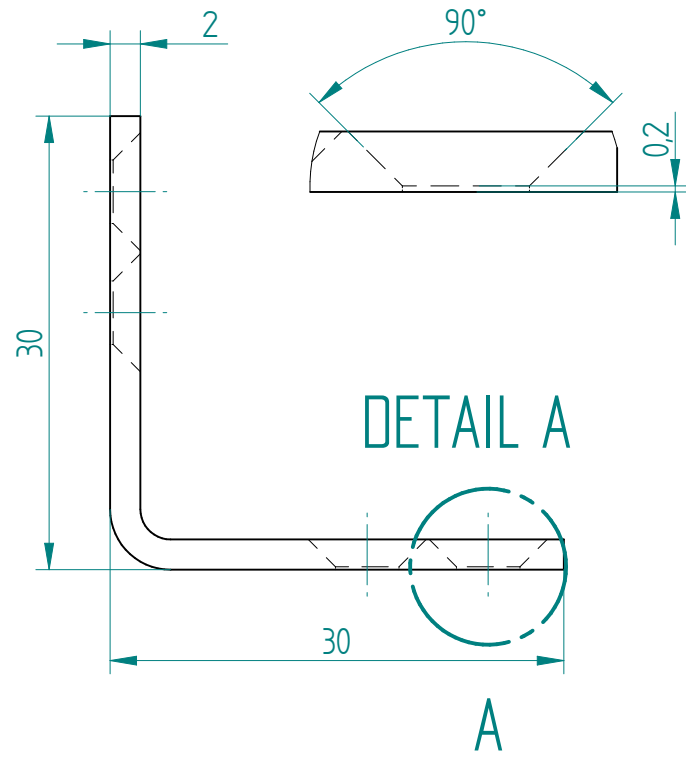


3.2



Hole	Size	Count
A	4.2	4

Product name: Angle bracket 30x30x25x2,0 phased holes
Material: HDG DX51D Z275