

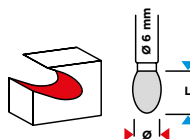
## Frez z węgla spiekaneego

Carbide rotary burr / Hartmetall-Drehgrat / Твердосплавная фреза / Твердосплавная фреза / Keresztfogazás / Freza din carbura de tungsten / Tvrdokovová rotační fréza / Fréza z tvrdokovu / Rezalnik iz volframovega karbida / Wolframo karbido freza / Wolframa karbida fréze / Frees / Фреза / Frezer / Glodalo / Фрѐза / Broca fresadora / Fresa / Fresa / Fraise / Frees



**DOUBLE CUT TOOTH**

**type E**  
(oval)

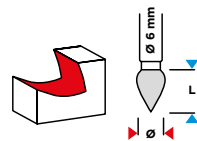


Ref.	ø [mm]	L [mm]		EAN
55H363	6	10	10/100	5902062509079
55H364	8	13	10/100	5902062509086
55H365	10	16	10/100	5902062509093
55H366	12	20	10/100	5902062509109
55H367	14	22	10/100	5902062509116
55H368	16	25	10/100	5902062509123



**DOUBLE CUT TOOTH**

**type G**  
(tree shape point)

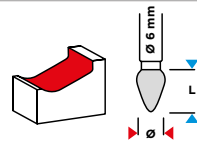


Ref.	ø [mm]	L [mm]		EAN
55H375	12	25	10/100	5902062509192



**DOUBLE CUT TOOTH**

**type H**  
(flame)

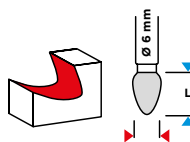


Ref.	ø [mm]	L [mm]		EAN
55H376	12	32	10/100	5902062509208



**DOUBLE CUT TOOTH**

**type F**  
(tree shape ball nose)

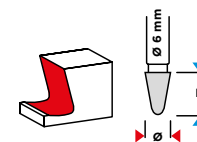


Ref.	ø [mm]	L [mm]		EAN
55H369	6	18	10/100	5902062509130
55H370	8	18	10/100	5902062509147
55H371	10	20	10/100	5902062509154
55H372	12	25	10/100	5902062509161
55H373	14	25	10/100	5902062509178
55H374	16	25	10/100	5902062509185



**DOUBLE CUT TOOTH**

**type L**  
(conical)



Ref.	ø [mm]	L [mm]		EAN
55H377	12	30	10/100	5902062509215

## Frezy

Milling cutters / Fräser / Фрезы / Фрезу / Fenékfúró készlet / Freze / Frézy / Frézy / Rezkala / Frezos / Frézes / Freesid / Фрезу / Frezeri / Glodalice frezeri / Фрѐзѐс / Brocas fresadoras / Frese / Fresas / Fraises / Frezen

TCT

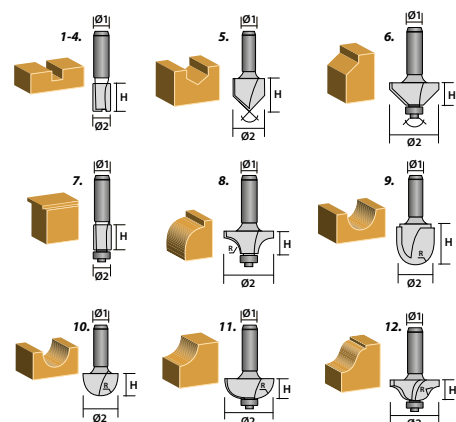
DREWNO  
WOOD

SKLEJKA  
CHIPBOARDS

PLASTIC



x12



Ref.	NR	ø1 [mm]	ø2 [mm]	∠	R [mm]	H [mm]			EAN
57H210	1	8	6			20	12	5/20	5902062572103
		8	12			20			
		8	16			20			
		8	12.7			12			
	5	8	12.7	90		9			
	6	8	32	45		12			
	7	8	12.7			12			
	8	8	22.2		6	12			
	9	8	28.6		9.5	15			
	10	8	12.7		6.35	9			
	11	8	22.2		6	12			
	12	8	25.4		4	15			

POWER IN YOUR HANDS